

Description

The Be-One is a microcontroller based, control and protection module for engines and generators. It features 4-digit display, 6 LEDs indicators and provides Off, By-pass, Manual, Auto, Test, Troubleshooting and Calibration operating modes. The Be-One shuts down the engine in case of Low Oil Pressure, High temperature (Engine, Canopy or Oil), Over-Under Speed and Frequency, Over-Under Voltage, Low Fuel and 5 - input configurable alarms. The user can configure 5 inputs and 4 outputs using several options. The display indicates measurements, hours count and messages for alarms. Windows XP (*) compatible control software provided.

Key Features

- 160 programmable parameters & settings
- 3-Year Warranty 72h Burn-in
- Events History records 100 events
- Generator True R.M.S Voltage
- Monitors Oil, Engine & Canopy Temperature
- RS485 MODBUS protocol
- Detects speed from Pick-up, Generator or belt-Alternator
- 5 programmable Analog/Digital inputs with 15 options for each
- 4 programmable Outputs with 31 options for each



Front Panel features

- 6 LEDs, 7 Pushbuttons, 4-digit Display
- Automatic control of the contactor of the Generator
- 7 Operating modes, Maintenance Timer
- Allows 4-character password protection
- 27 alarm messages and 15 ideograms
- Vac, Hz, Vdc, R.P.M. indications
- BAR, Temperature, % Fuel, and h-meter
- All measurements may be calibrated in the field

Miscellaneous features

- RS485 Port: MODBUS RTU compatible
- Low-power consumption: less than 2W
- Popular Standard size DIN 96
- Dimensions/Weight: 96x96x40 / 350gr.
- 3-Years full warranty, cost effective
- IP protection: IP54 (IP20 at rear)
- Connections: two-part removable Plug & Socket



Specifications

- Vdc Supply: 5.0Vdc up to 36Vdc / 2W max
- Vac (Generator): 60Vac up to 600Vac
- Frequency Range: 15Hz up to 90Hz
- Vac (TRMS) accuracy: +/-1%
- Analogue Resistive Senders: 0 up to 2000 Ohm
- Static Outputs: 300 mA/100Vdc, short circuit protected
- Programmable digital inputs trigger threshold
- Operating Temperature Range: -30°C up to +70°C

Engine + Generator Controller

Engine + Generator Controller

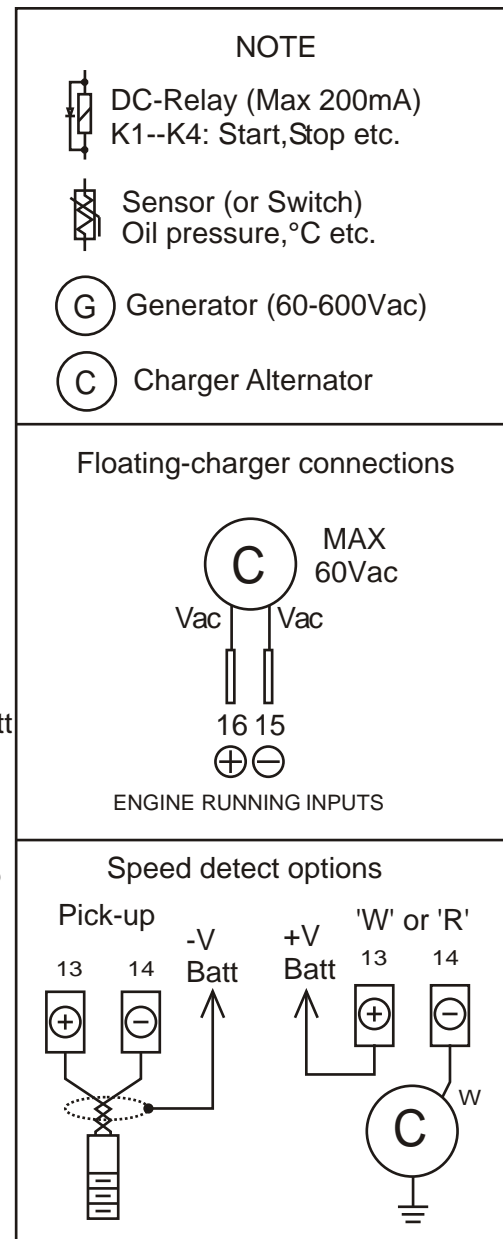
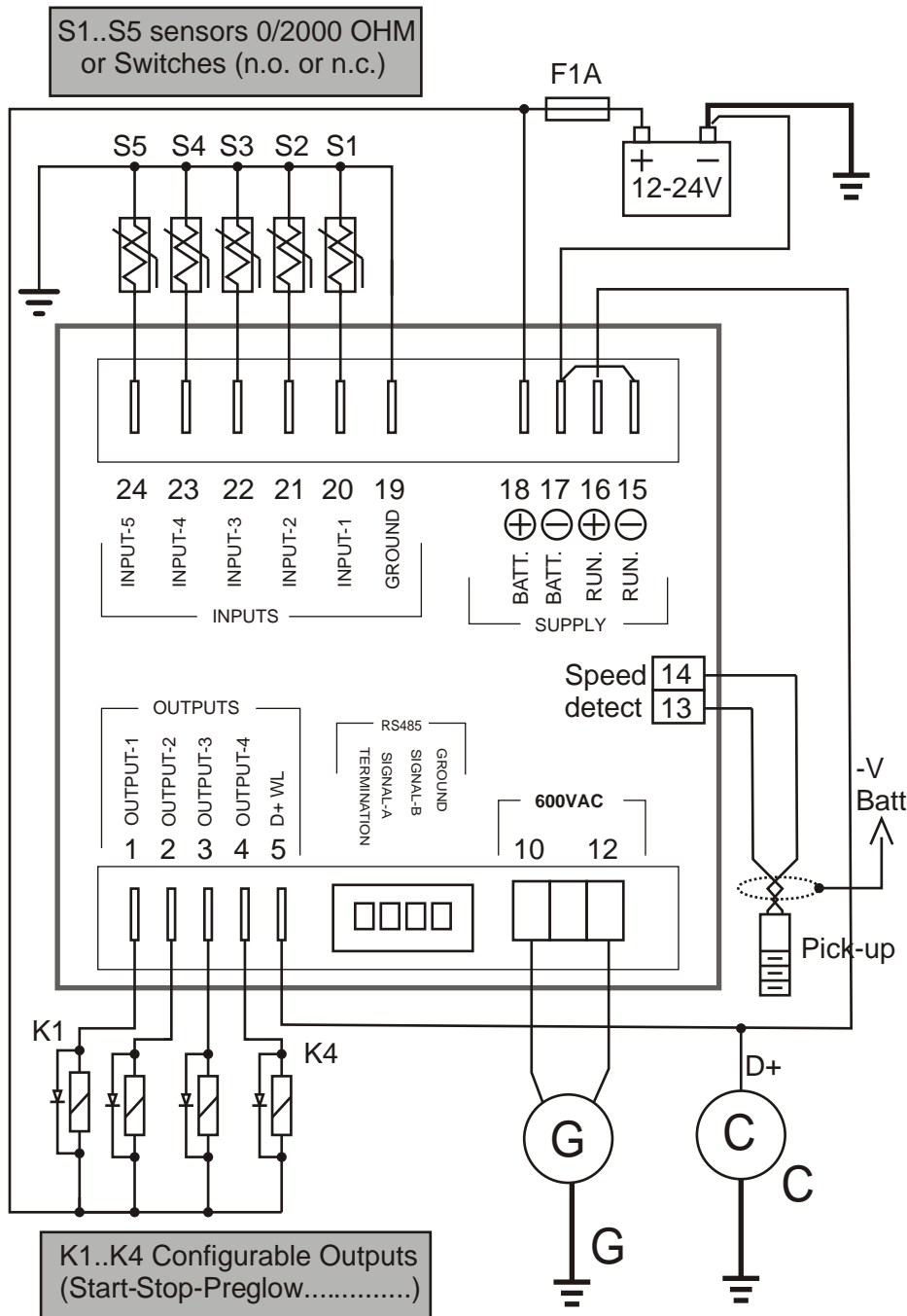
State-of-the-art generating set controller

Bernini Design srl

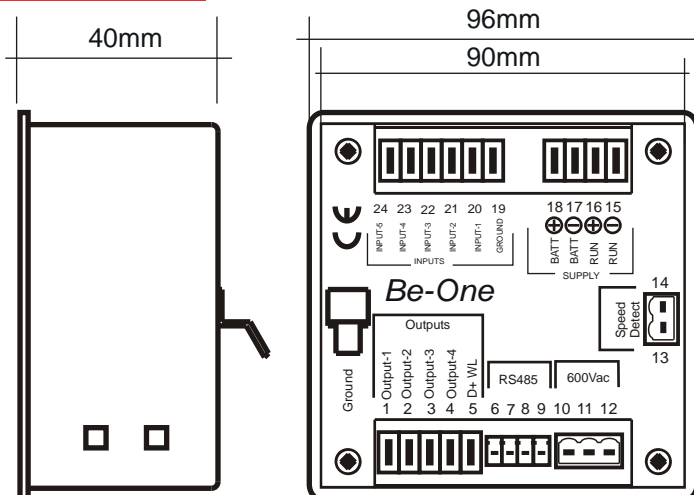
ITALY

www.bernini-design.com

Be-One Rear view & Typical application



DIMENSIONS



MISCELLANEOUS

Shipping Dimensions: 110 x 110 x 60mm

Shipping Weight: 450 Gr.

Operating Temperature: -30°C/+70°C

Performance Specs: NFPA-110

Connectors: removable Plug & Socket

Grounding: 1/4" Blade terminal

BERNINI
design